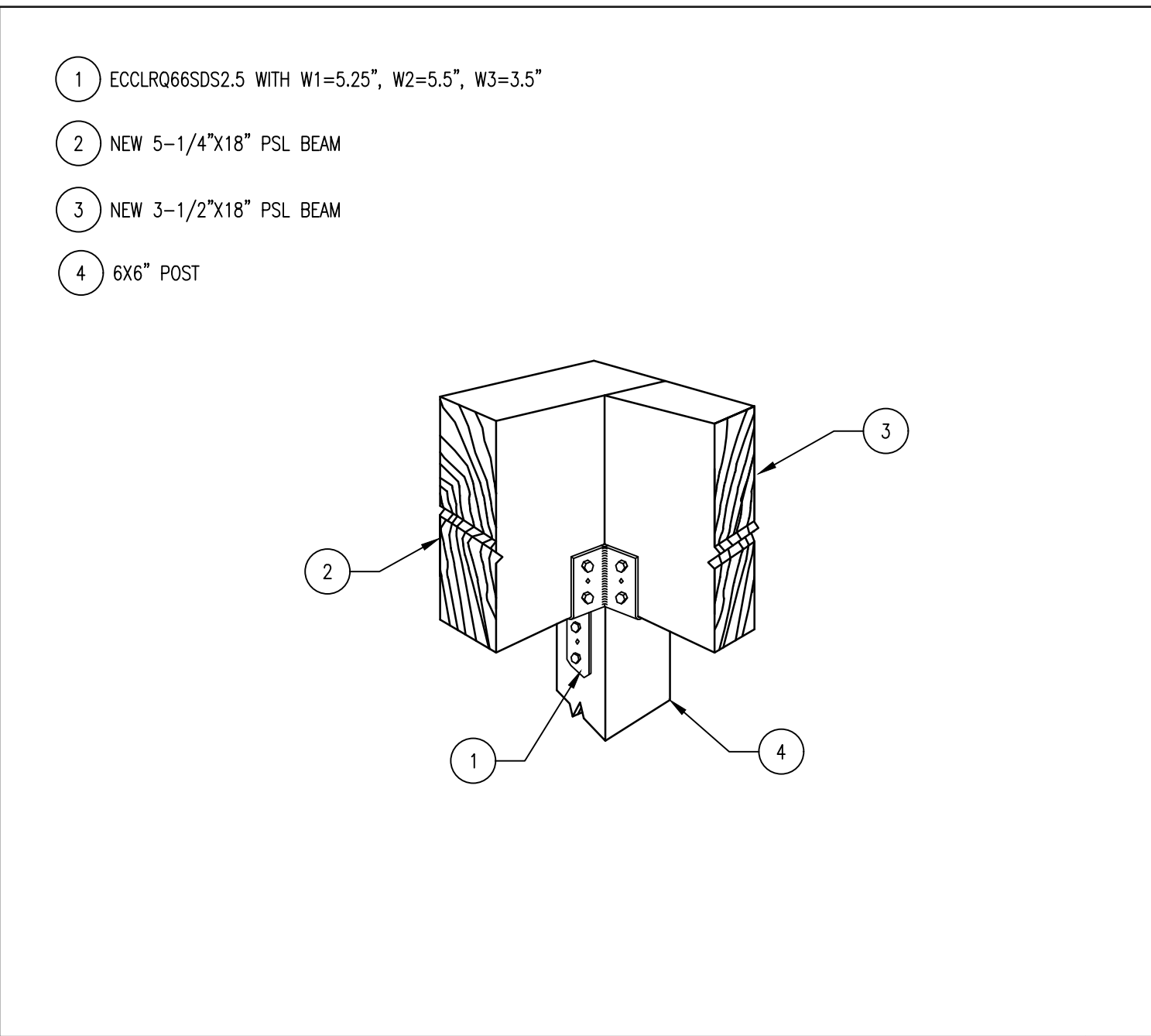
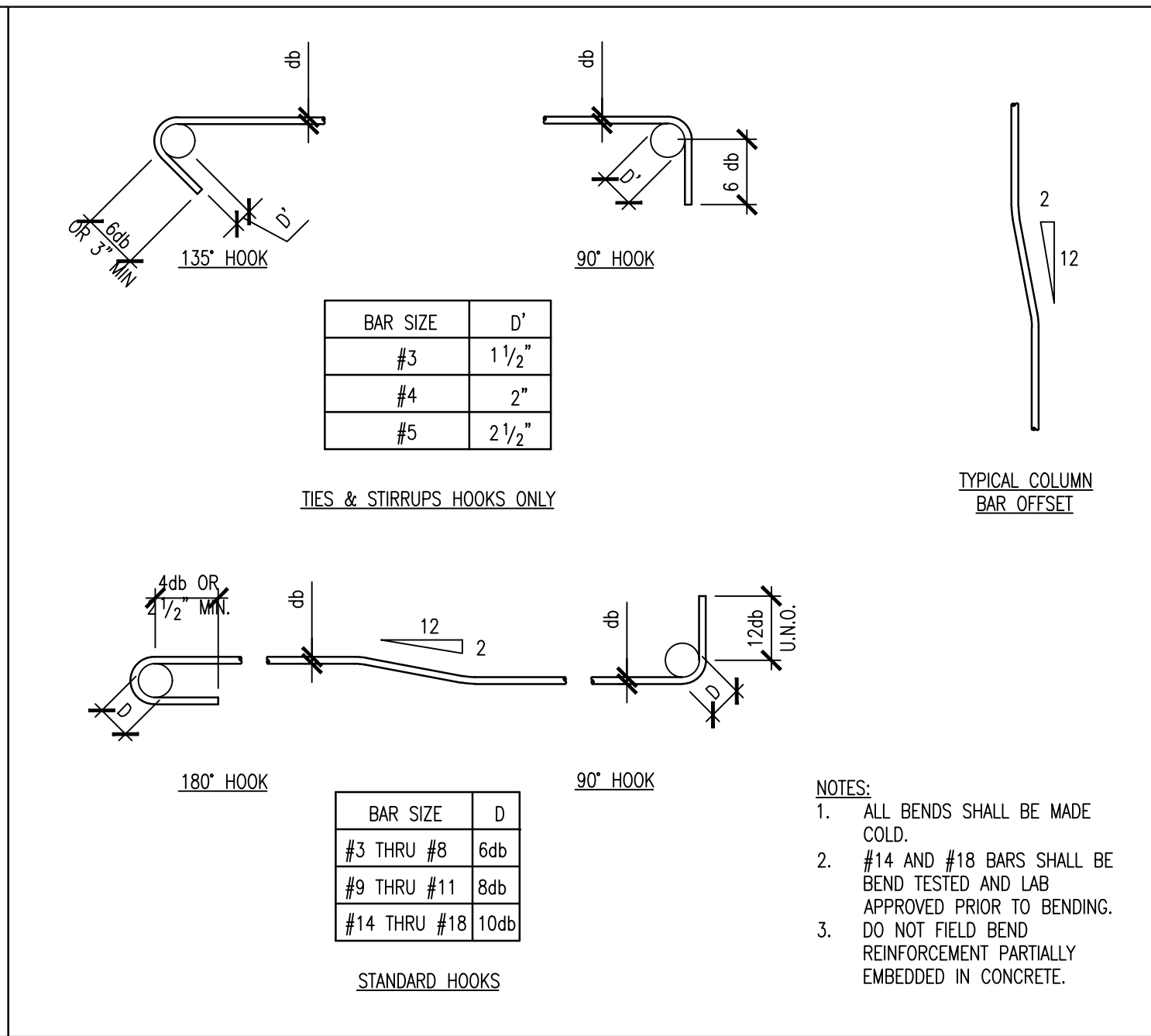


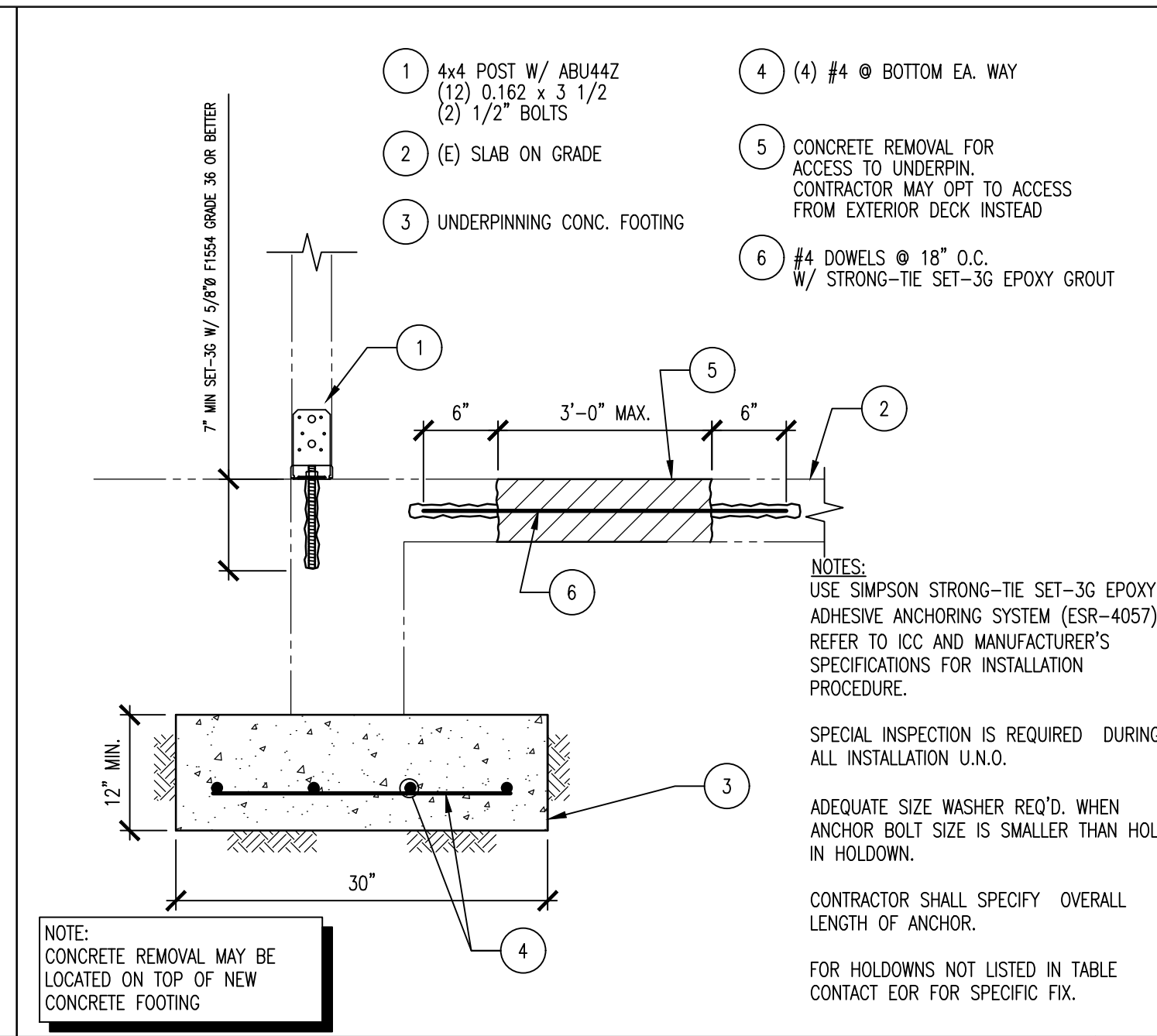
TOP PLATE DISCONTINUITY DETAIL 1"=1'-0" 10



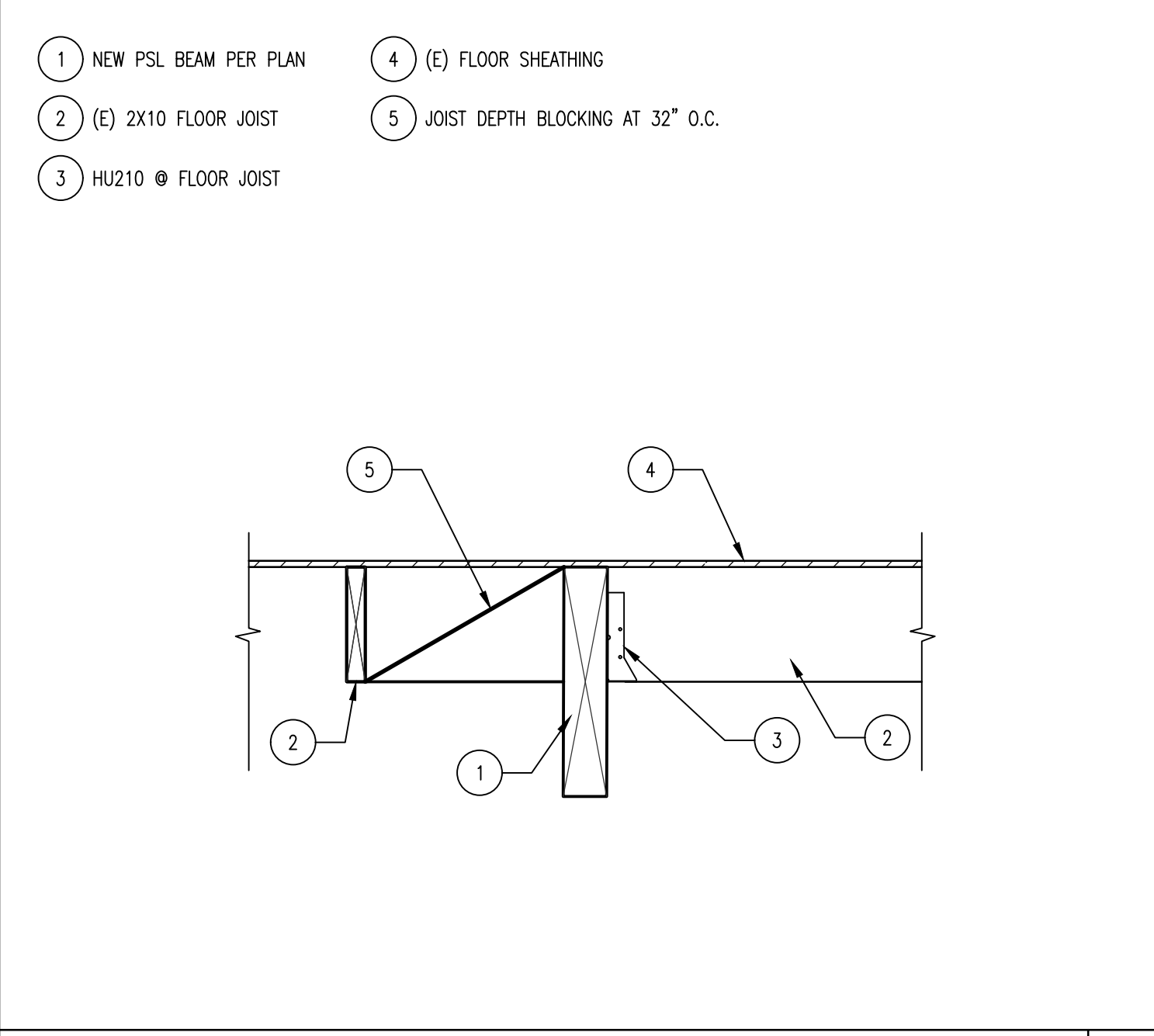
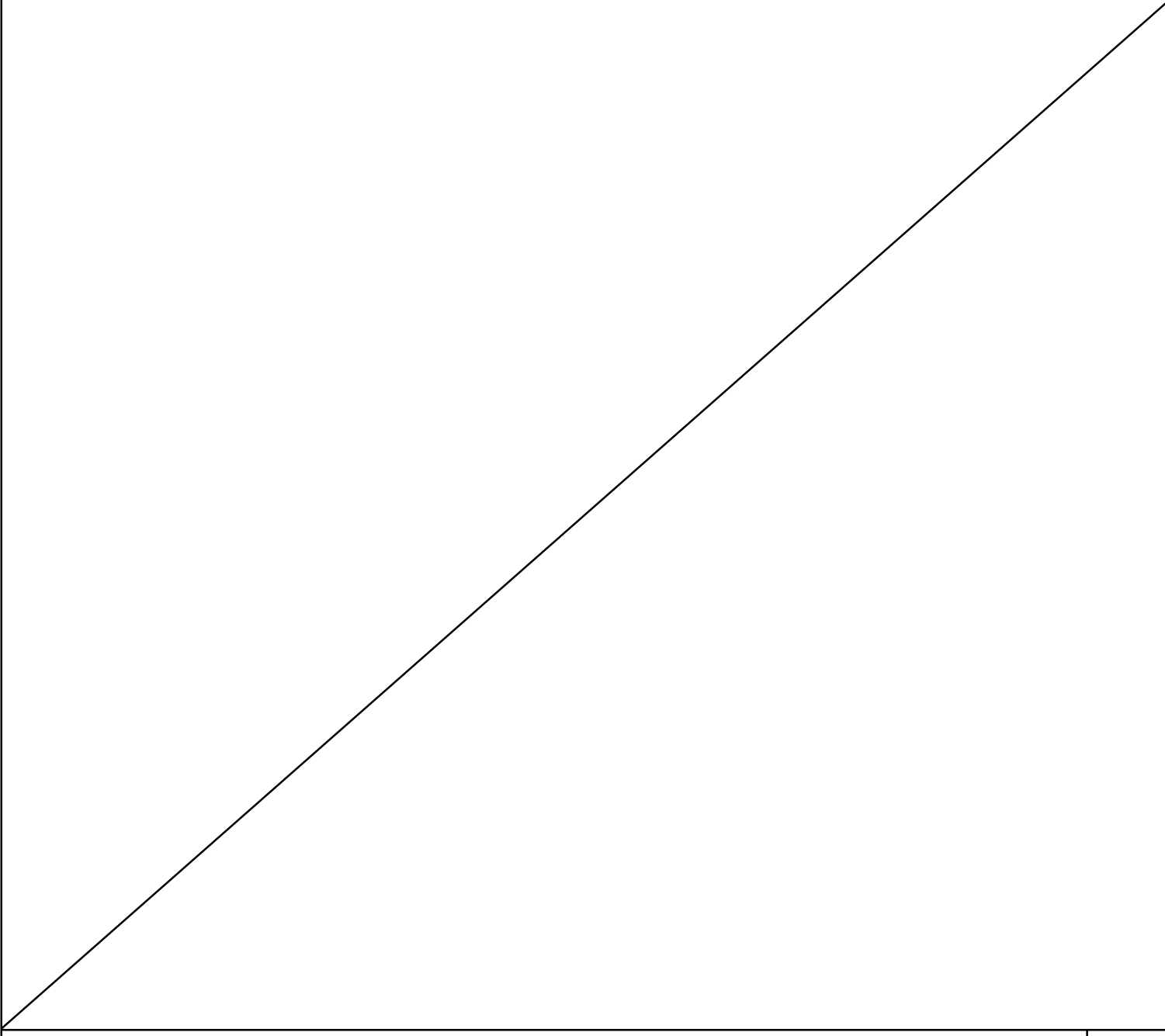
COLUMN CAP AT BEAM INTERCEPT 1"=1'-0" 7



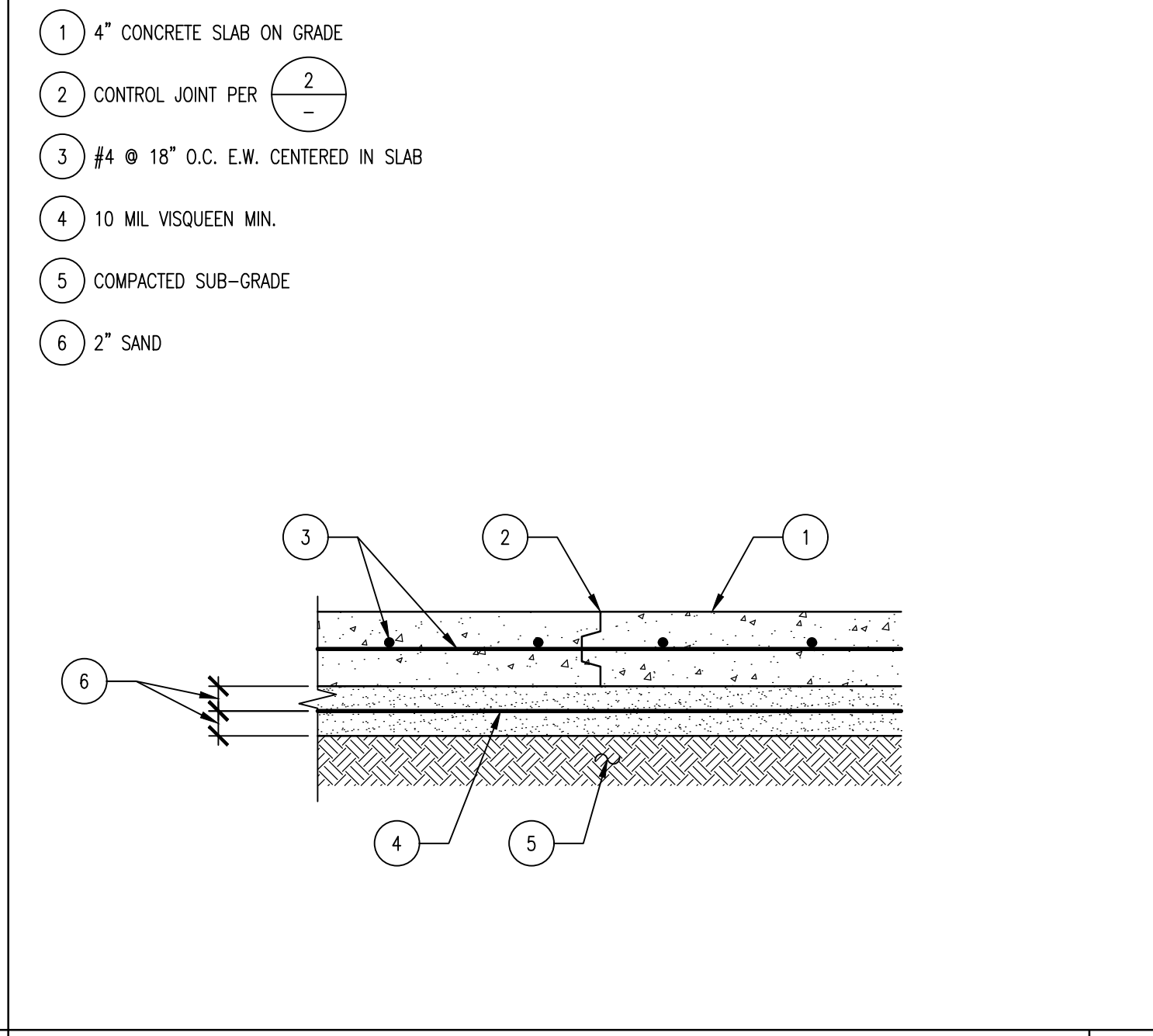
REINFORCING BAR BENDING DETAIL 1"=1'-0" 4



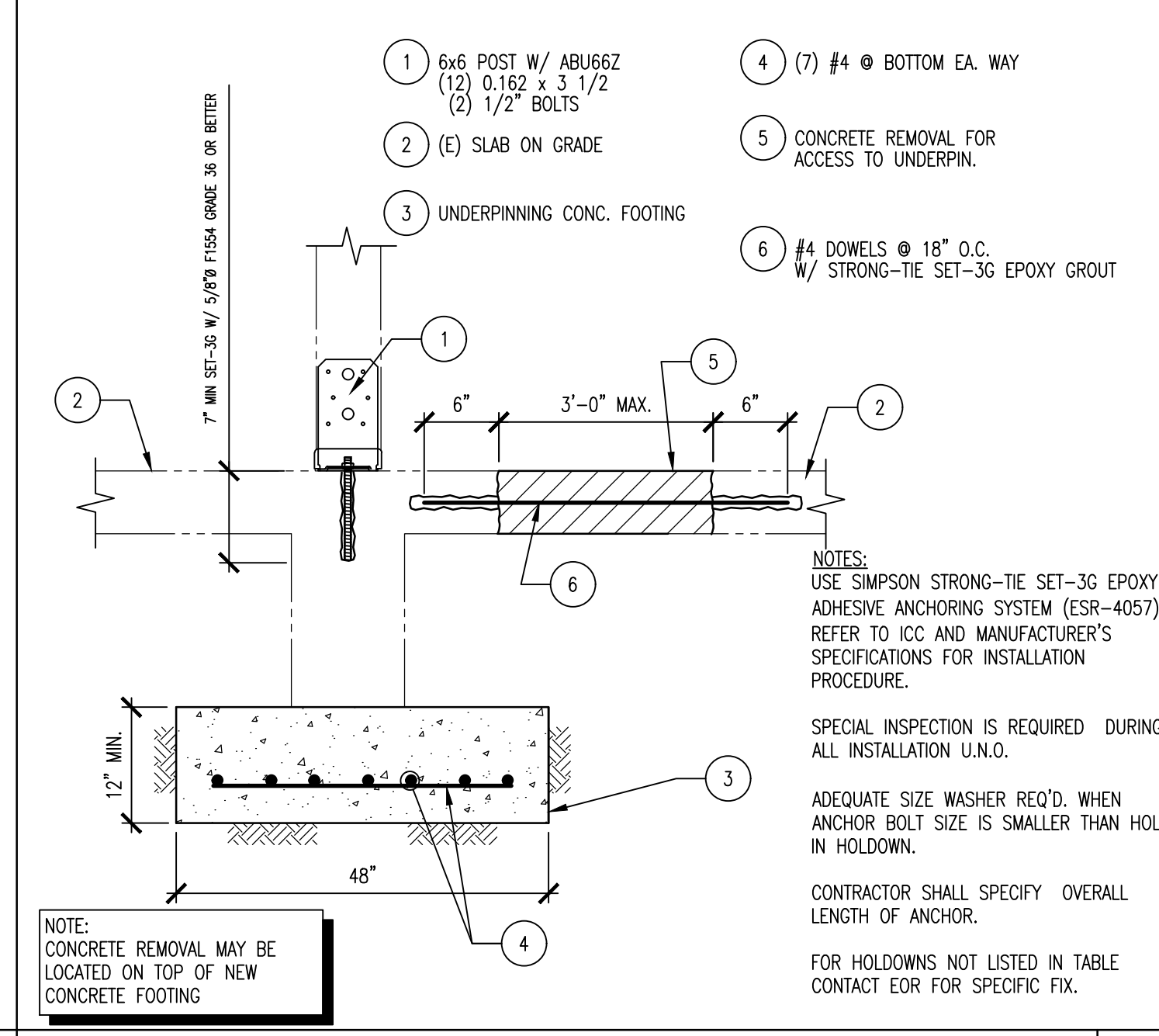
UNDERPINNING AT 4X4 SUPPORT POST 1"=1'-0" 1



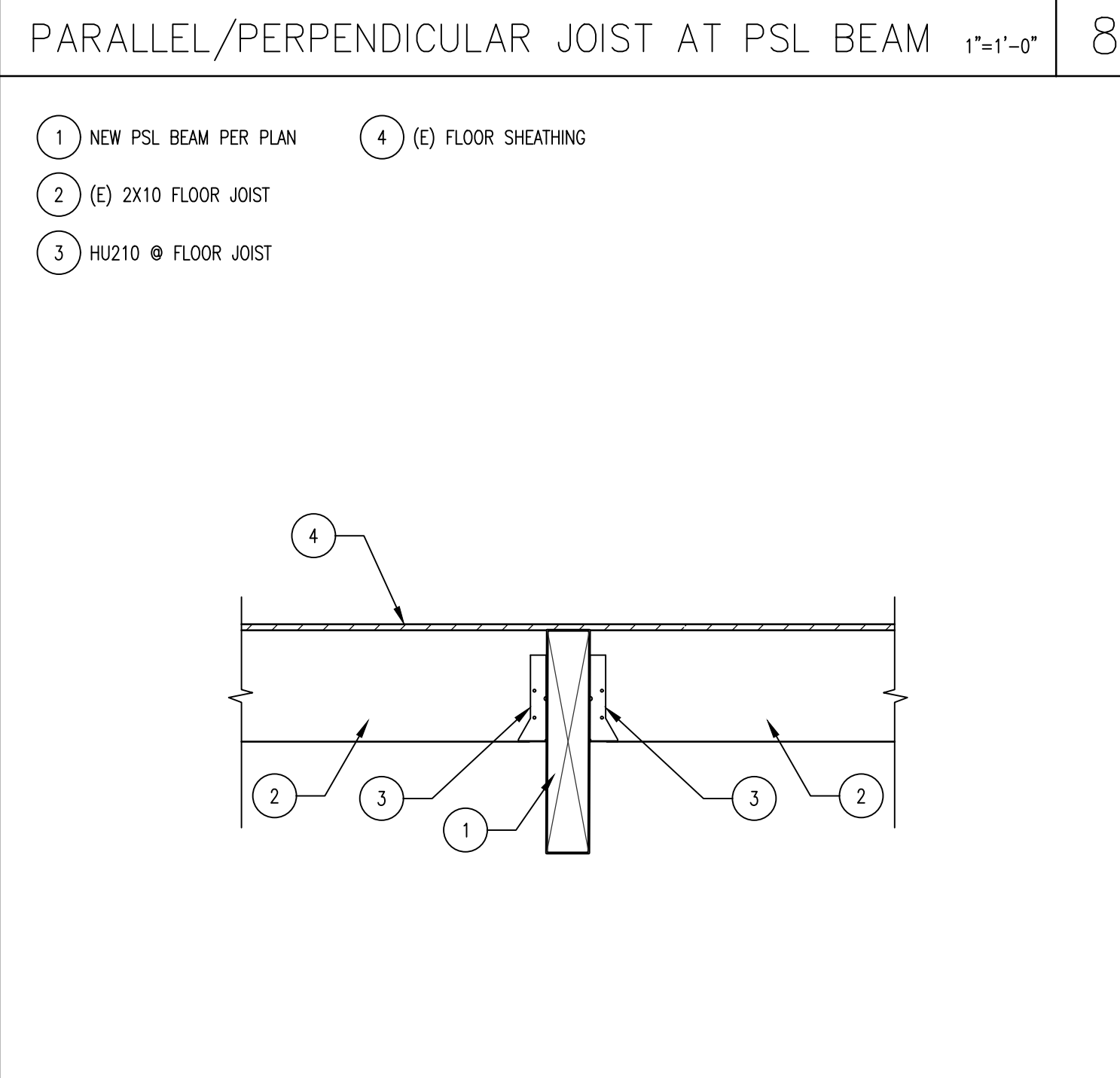
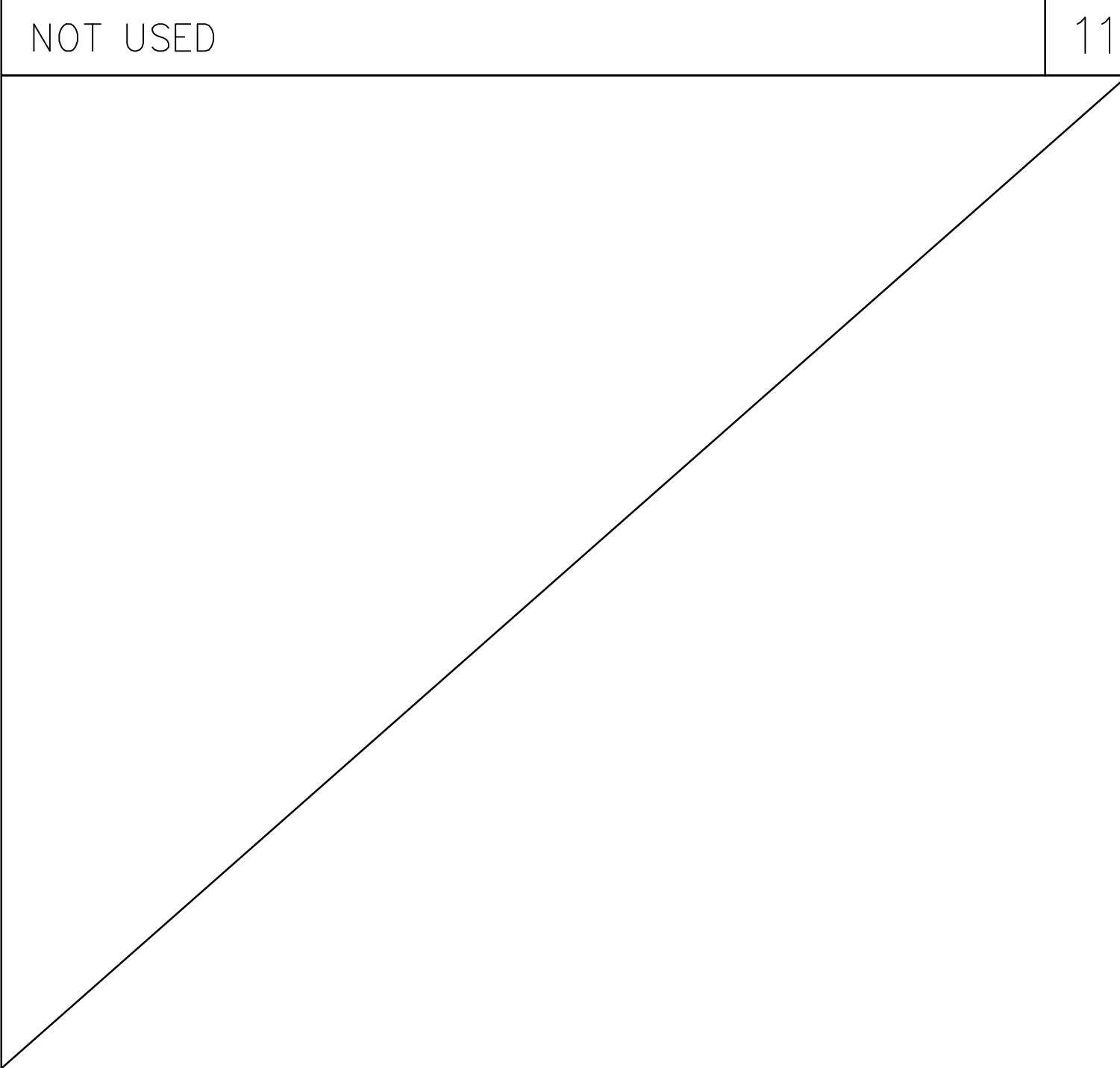
PARALLEL/PERPENDICULAR JOIST AT PSL BEAM 1"=1'-0" 8



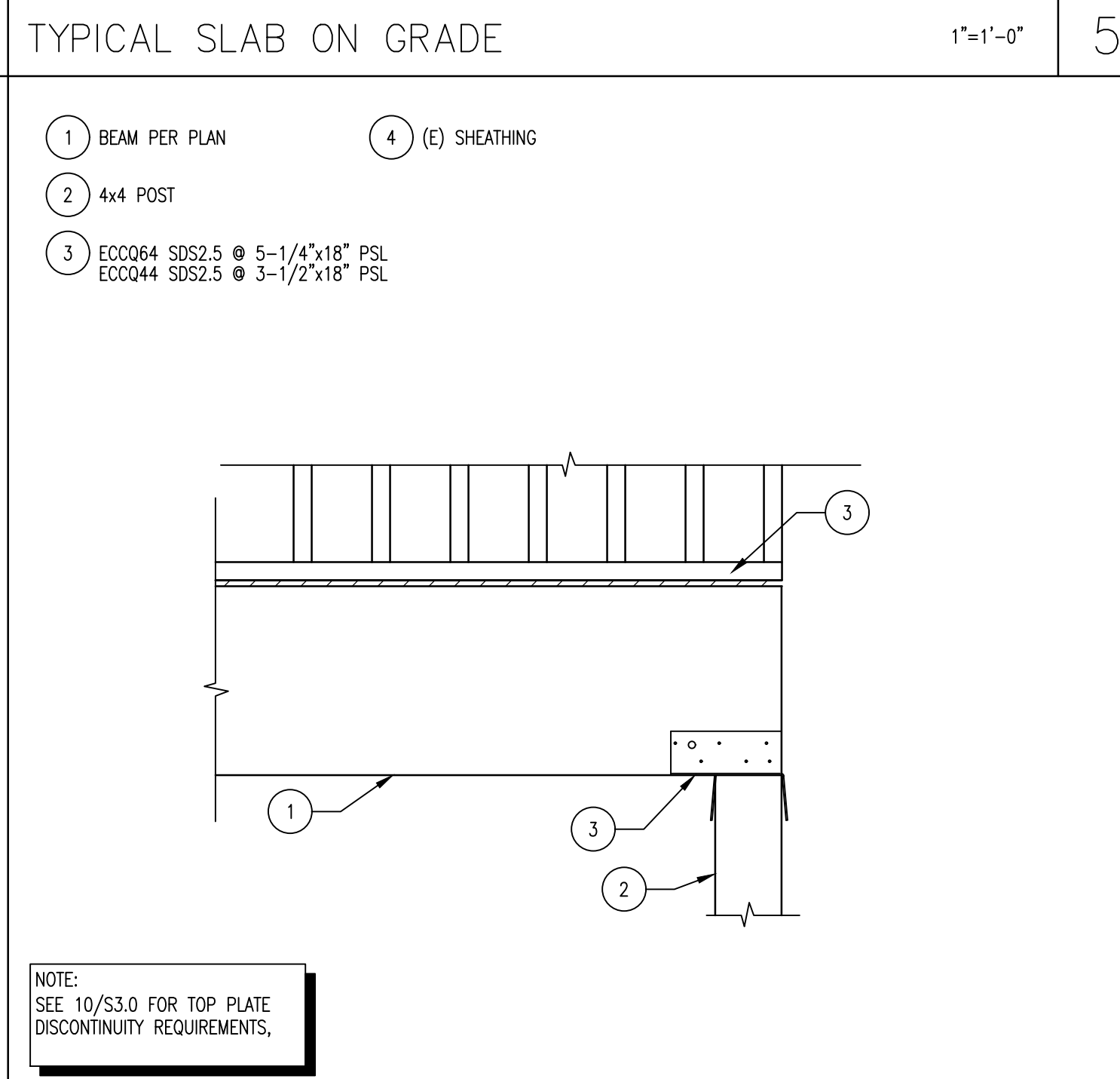
TYPICAL SLAB ON GRADE 1"=1'-0" 5



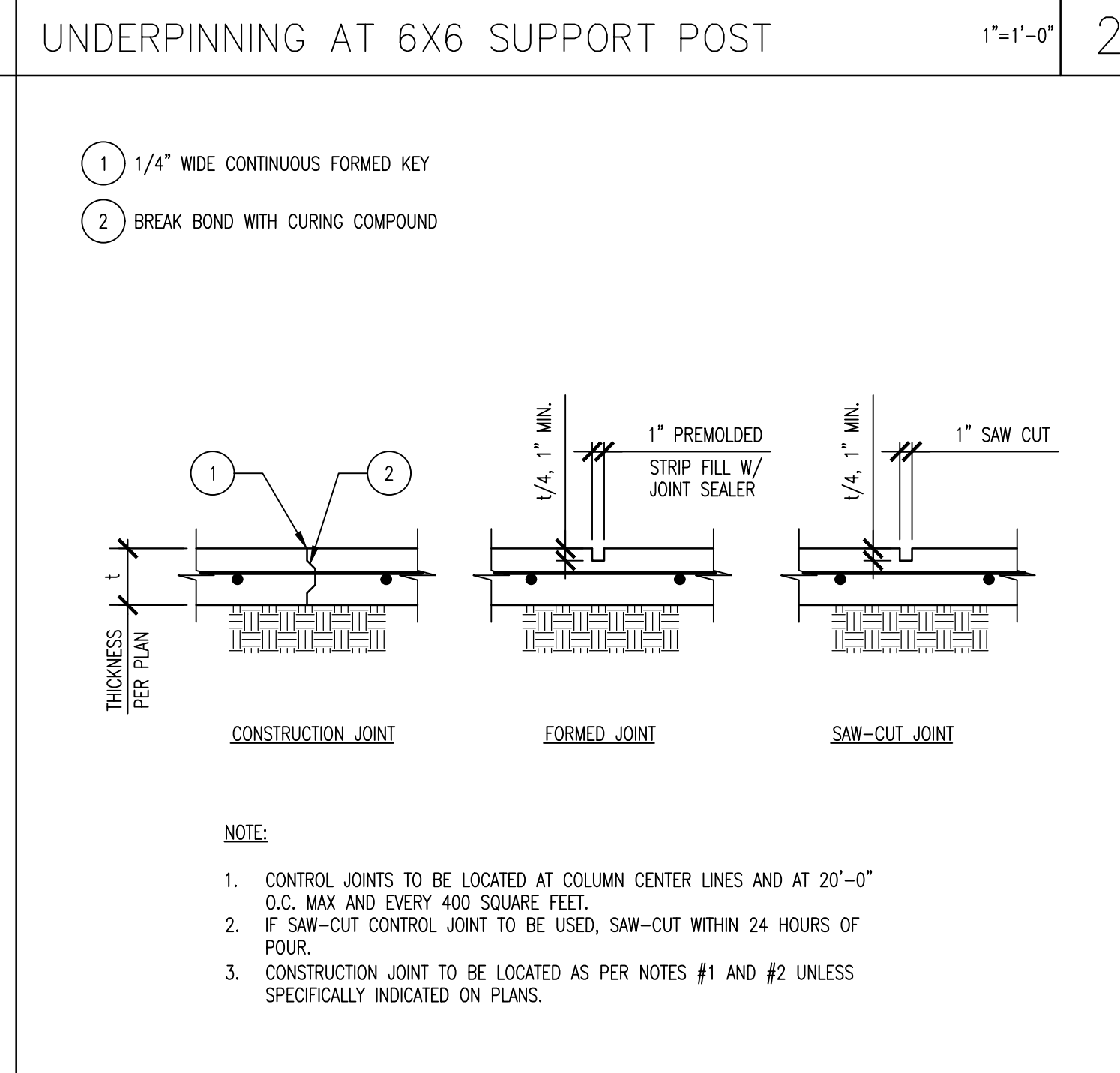
UNDERPINNING AT 6X6 SUPPORT POST 1"=1'-0" 2



PERPENDICULAR JOIST AT PSL BEAM 1"=1'-0" 9

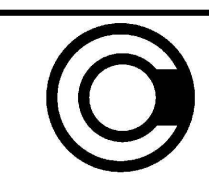


PSL BEAM BEARING DETAIL 1"=1'-0" 6



SLAB ON GRADE CONTROL JOINTS 1"=1'-0" 3

RESIDENCE REMODEL  
PROJECT'S ADDRESS



**OCONSULTING**  
300 SPECTRUM CENTER DRIVE, SUITE 400  
IRVINE, CA 92618  
(949) 734-2826

SHEET TITLE

DETAILS

S3.0

SHEET 8 OF 8